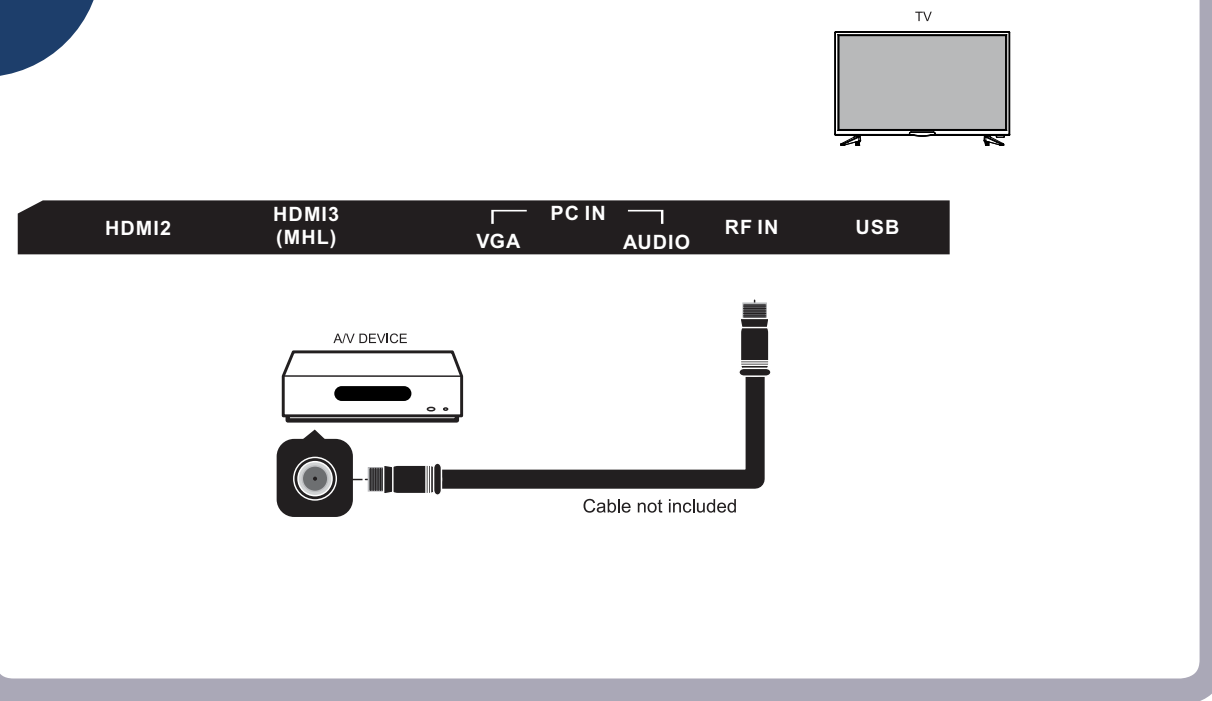
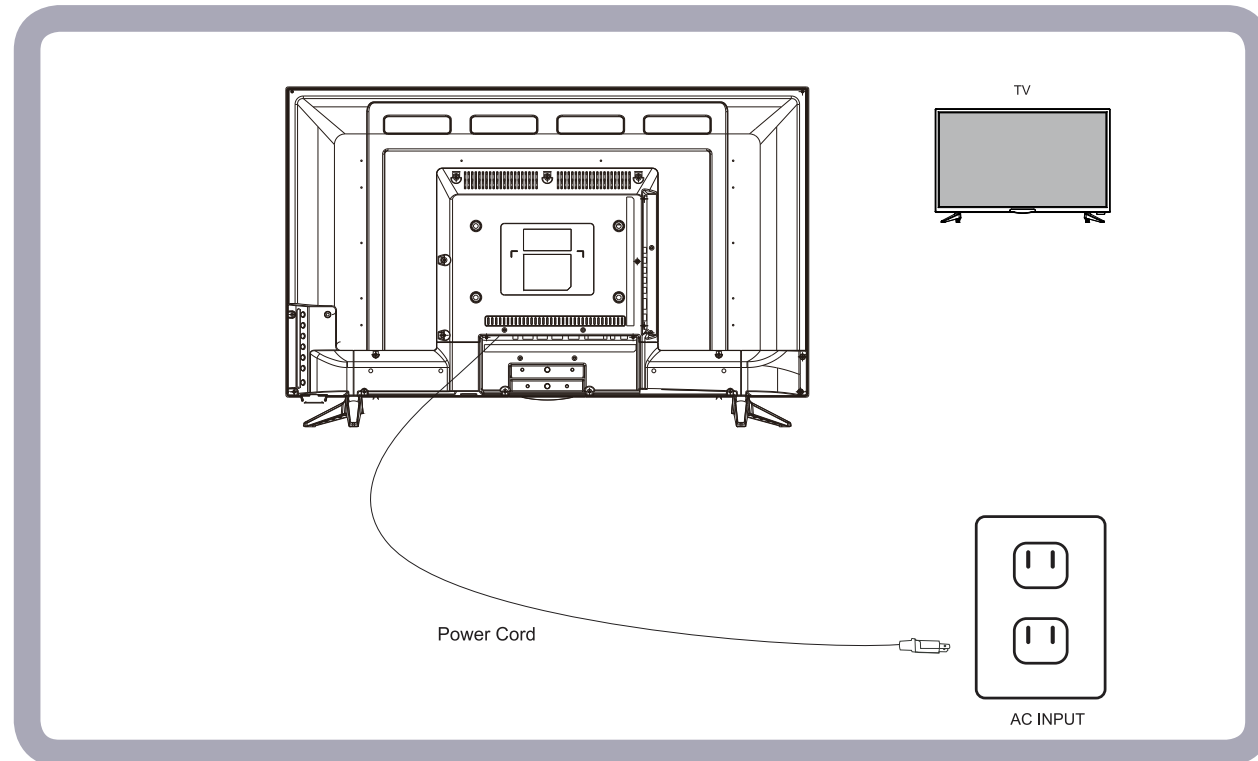


Basic
Connection

Coaxial / RF Cable / Antenna



Connect Power Cord

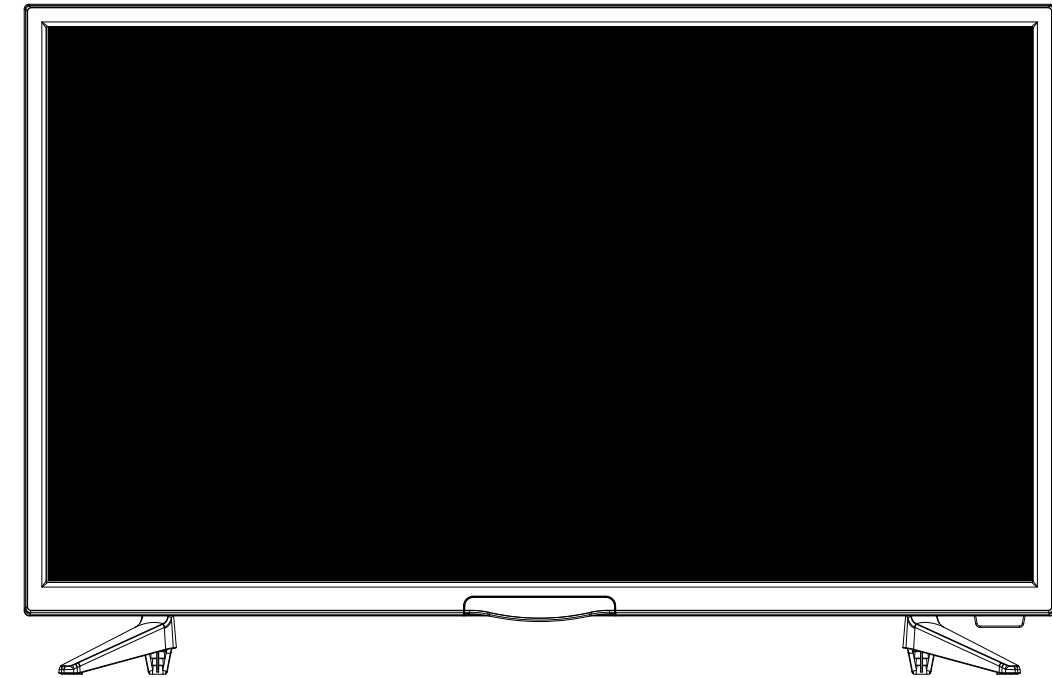


Press the POWER button on the remote control to turn on the TV

QUICK START GUIDE



Simple Steps for Connecting
your TV to A/V Devices

**IMPORTANT NOTE:**

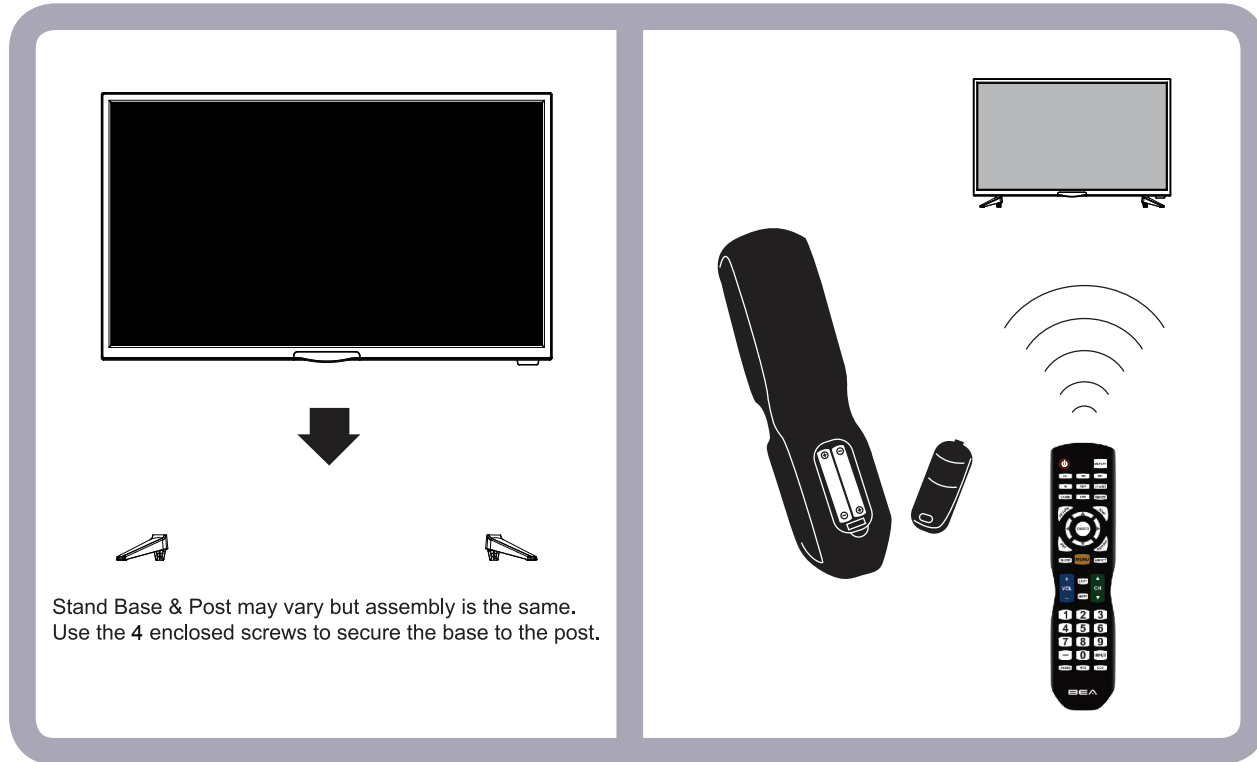
During setup, do NOT run the "Channel Auto Scan" function if your TV is connected to a Cable or Satellite set top box.

A/V Devices Include:

- Blu-ray[®] Disc Players
- DVD Players
- Cable, Satellite, or Set-Top Boxes
- VCRs
- Game Consoles

If you need additional help, please consult your user manual.

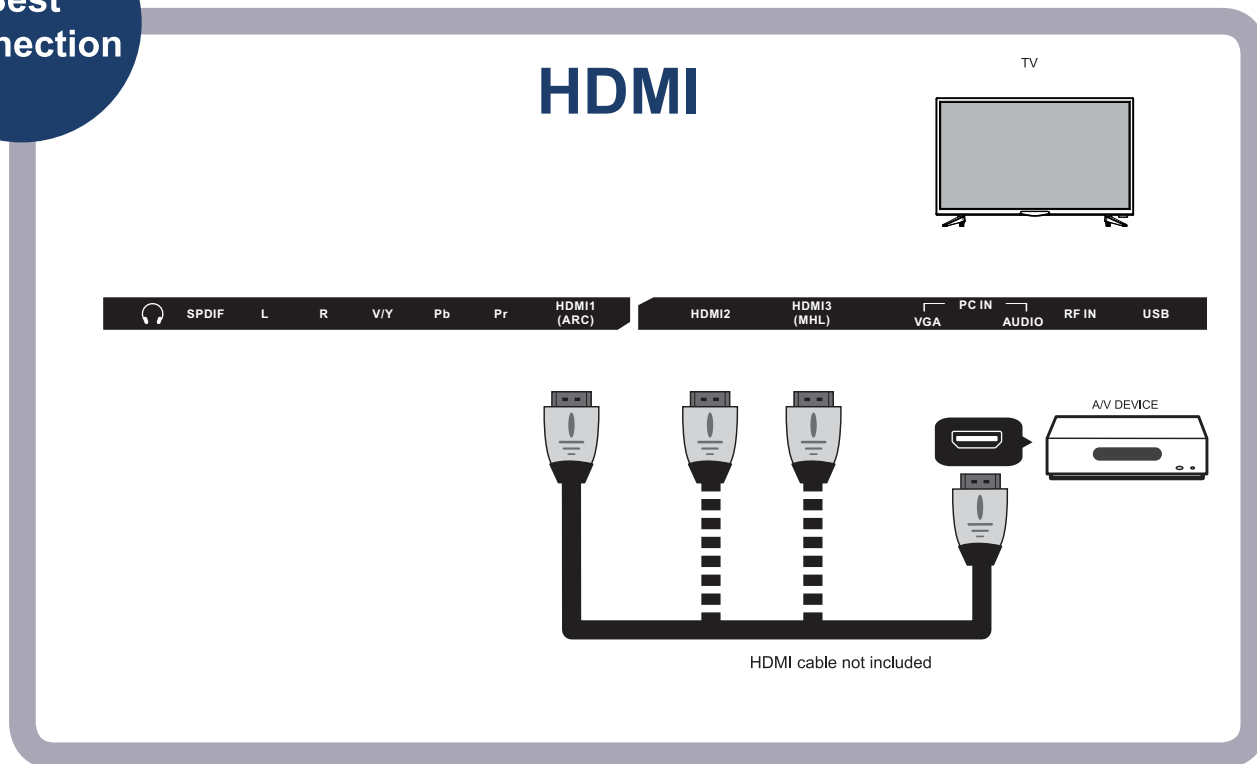
**Insert the TV into the base and securely attach.
Install the batteries in the Remote Control**



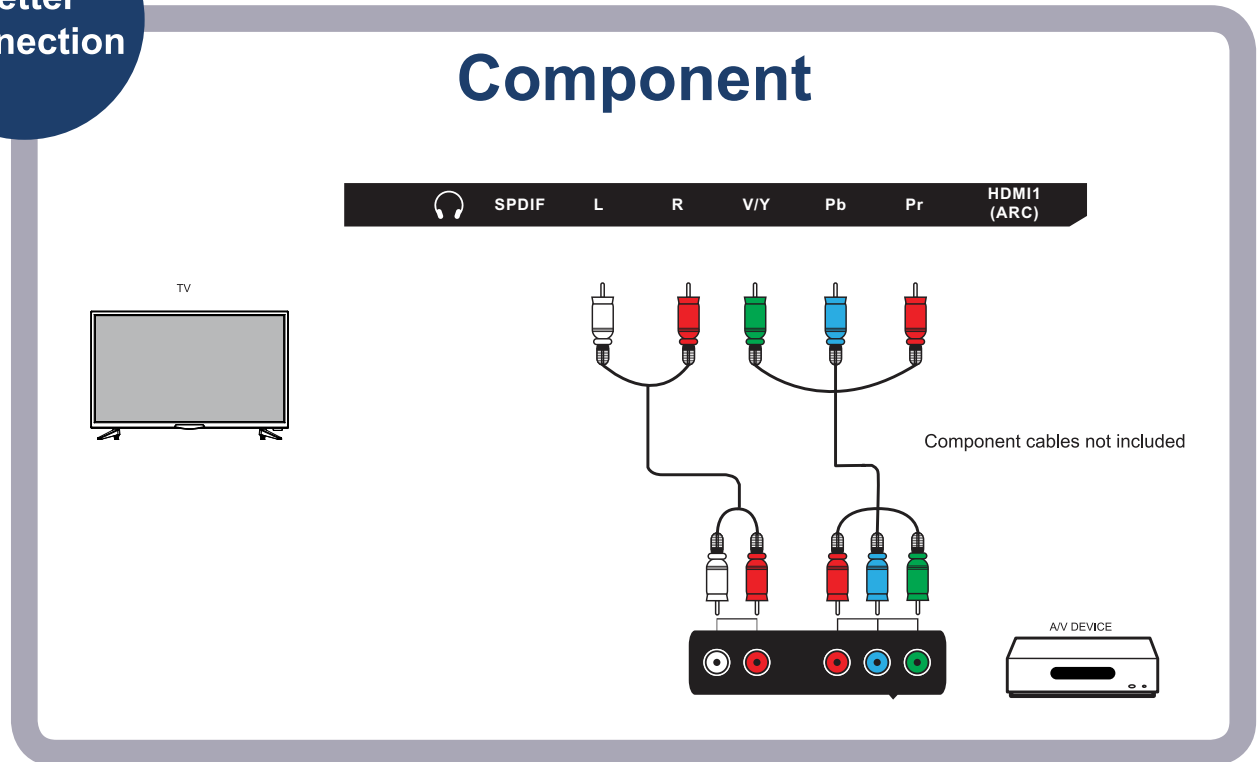
To operate this TV using the remote control provided by your Cable / Satellite provider, follow the programming instructions included with the providers' remote control and input the following codes when prompted;

- For Comcast or DirecTV remote controls, input the code- 10030
- For AT&T (U-verse) Remote Controls, input the code- 1043
- For RCA Universal Remote Controls, input the code- 0030
- For Dish Network Remote controls, input the code- 506

Best Connection



Better Connection



Good Connection

